



Steel Lo-Side Boxes

EXCLUSIVE FEATURES & BENEFITS

- Low profile box mounts over the side rails of your pickup.
- Cover features D-shaped weather stripping to seal out dust and weather.
- Fully concealed stainless steel hinge.
- Offers a unique blend of steel - 17 gauge steel in the ends, sides and cover, with 16 gauge steel in the bottom.
- The trademarked RED PUSHBUTTON features a powder coated aluminum, automotive style latching system.
- The rotary style latching mechanism does not require adjusting and is protected by an all aluminum housing.
- Coated with BRITE WHITE Powder Coat Finish inside and out to provide a durable finish.
- Installation instructions, mounting legs and hardware are included.
- Two keys and a removable, high impact plastic tray are provided.
- Can be used separately or in combination with Cross Boxes or Saddle Boxes.

DUAL GAS SPRING COVER SUPPORTS ON COVER

FULLY CONCEALED, STAINLESS STEEL COVER HINGES



REMOVABLE HIGH IMPACT PLASTIC TRAY IS INCLUDED

INWARD DOUBLE-90° RETURNS FOR EXTRA STRENGTH

Model 175-3

FULL PASS INTERIOR ARC-WELDS IN COVERS AND FACES OF BOX FOR STRONGER WELD SEAMS

BRITE WHITE POWDER COAT FINISH INSIDE AND OUT



STEEL COVER SUPPORT HOUSING PROTECTS GAS SPRING

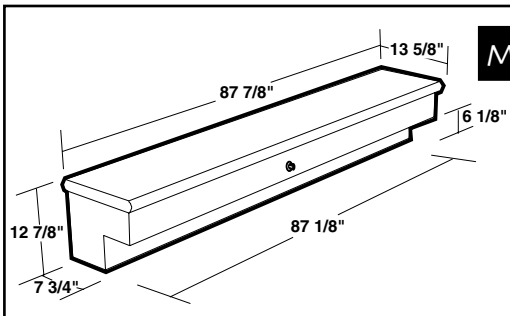


ZINC PLATED LATCH STRIKERS (1/4" ROD) BOLT SECURELY TO COVER SUPPORT CHANNEL WHICH IS REINFORCED IN THE LATCH STRIKER AREA



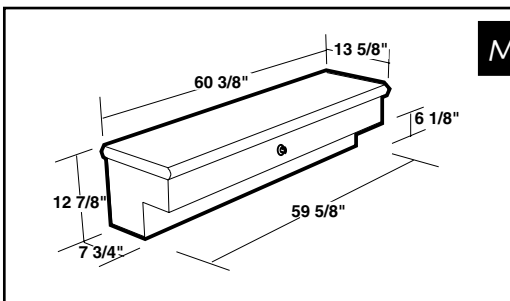
EXCLUSIVE ONE-TOUCH LATCH SYSTEM WITH THE AUTOMOTIVE STYLE RED PUSHBUTTON® WITH BUILT-IN SIDE BAR LOCK

FOR FULL SIZE & MINI PICKUPS



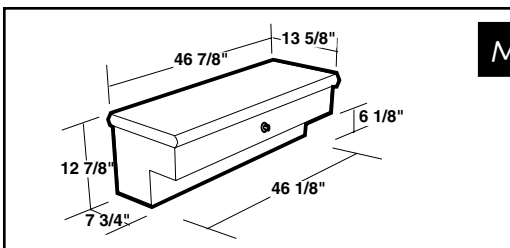
Model 165-3 (white)

Fits:
* Full size pickups with 8' beds.
Cu. Ft...6.25
Ship Wt...115 Lbs.



Model 175-3 (white)

For use separately or in combination with Cross or Saddle Boxes.
Cu. Ft...4.55
Ship Wt...88 Lbs.



Model 185-3 (white)

For use separately or in combination with Cross or Saddle Boxes.
Cu. Ft...3.25
Ship Wt...70 Lbs.



IMPROVED ROTARY LATCHING MECHANISM NEVER NEEDS ADJUSTING AND WILL KEEP THE COVER TIGHT AGAINST THE SEAL



MOUNTING LEG SHOWN INSTALLED ON THE SIDE OF THE BOX AND CAN ALSO BE MOUNTED ON THE BACK OF BOX



Model 165-3 Lo-Side Boxes on a full size Ford pickup.

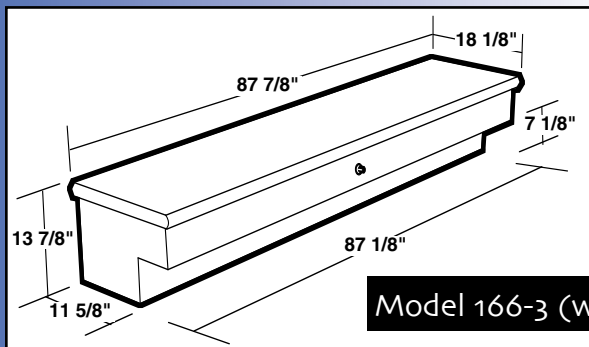
*The RED PUSHBUTTON is a U.S. registered trademark of Knaack Mfg. Co.



Super-Lo Boxes

LO-SIDE AND SUPER-LO BOXES MAY BE USED SEPARATELY OR IN COMBINATION WITH CROSS OR SADDLE BOXES.

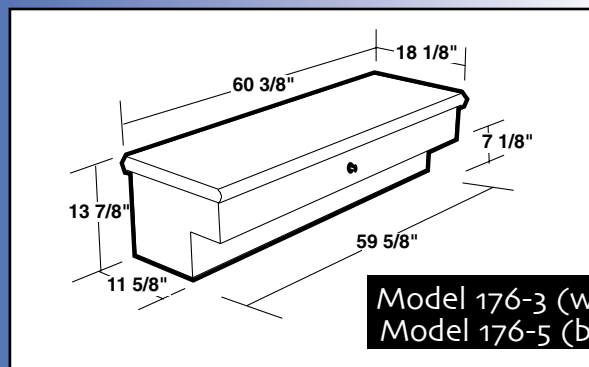
FOR FULL SIZE & MINI PICKUPS



Model 166-3 (white)

For use on full size pickups with 8' beds.

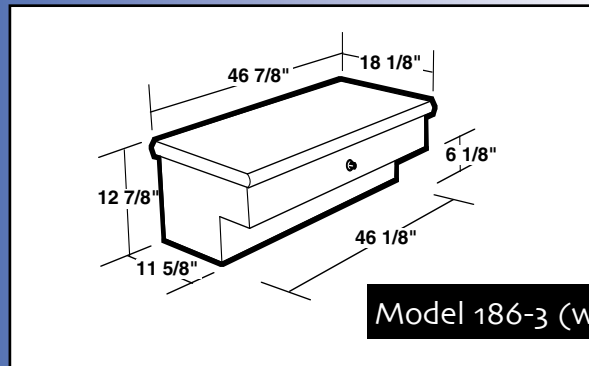
Cu. Ft...9.25
Ship Wt...139 Lbs.



**Model 176-3 (white)
Model 176-5 (black)**

For use separately or in combination with Cross or Saddle Boxes.

Cu. Ft...6.5
Ship Wt...105 Lbs.



Model 186-3 (white)

For use separately or in combination with Cross or Saddle Boxes.

Cu. Ft...4.5
Ship Wt...83 Lbs.



SAME EXCLUSIVE FEATURES & BENEFITS AS OUR STEEL LO-SIDE BOXES ON PAGE 11 BUT WITH 40% MORE STORAGE SPACE!

EXCLUSIVE FEATURES & BENEFITS

- Low profile box mounts over the side rails of your pickup and has 40% more storage space than Lo-Side Boxes.
- Stores hand tool boxes and larger tools easily.
- Convenient built-in tool compartment along the front for access to small parts and tools.
- 10" to 12" of available space under the box for 4' wide materials.
- Cover features D-shaped weather stripping to seal out dust and weather.
- Fully concealed stainless steel hinge.
- Offers a unique blend of steel - 17 gauge steel in the ends, sides and cover, with 16 gauge steel in the bottom.
- The trademarked RED PUSHBUTTON features a powder coated aluminum, automotive style latching system.
- Coated with BRITE WHITE Powder Coat Finish inside and out to provide a durable finish.
- Installation instructions, mounting legs, hardware and removable high impact plastic tray are included.
- Can be used separately or in combination with our WEATHER GUARD® Cross Boxes or Saddle Boxes.



Model 166-3 Super-Lo Boxes mounted on a full size Dodge pickup.