



# ALUMINUM Underbed Boxes

**CLEAR COAT  
POWDER COAT**



BRUSHED STAINLESS STEEL PADDLE HANDLE FOR EXTRA LIFE AND DURABILITY

or

**BLACK  
ARMOR-TUF  
POWDER COATING**



UNIQUE DESIGN ROTARY STYLE TWO-POSITION LATCH PREVENTS THE DOOR FROM INADVERTENTLY OPENING

THE ALUMINUM UNDERBED BOXES ARE ALL COATED WITH THE ARMOR-TUF CLEAR COAT FINISH OR THE BLACK ARMOR-TUF POWDER COATING TO PROVIDE A LONG LASTING FINISH.



WEATHER STRIPPING PROTECTS CONTENTS FROM THE WEATHER

## EXCLUSIVE FEATURES & BENEFITS

- Designed to withstand rugged daily use.
- Box and door are made of heavy .100 thick diamond plate aluminum.
- Fully arc-welded seams produce a storage box that is strong and durable for the toughest jobs.
- Aluminum door features a welded-on reinforcing channel to make the door more rigid and assure a weather tight seal.
- Tools are accessible when needed and remain safe and secure when locked up during transit.
- Brushed stainless steel paddle handle has a rotary style latch mechanism.
- Latch mechanism features a two-position latch, preventing the inadvertent opening of the door.
- Aluminum Underbed boxes are available in BLACK ARMOR-TUF Powder Coat or ARMOR-TUF Clear Coat finish.

**NOTE:** Due to the various chassis that these products can be used on, contact a truck equipment dealer for mounting procedures and support brackets or angles. If you decide to make these brackets yourself, do not use any steel less than 1/4" in thickness.

See next page for models to fit flatbed, platform and dump trucks.

POSITIVE WEATHER SEAL PROTECTS TOOLS AND MATERIALS STORED INSIDE FROM ROAD DIRT AND WEATHER

BODY IS CONSTRUCTED OF DIAMOND PLATE ALUMINUM

DOOR IS RECESSED SLIGHTLY TO ALLOW FOR FULL SWING DOWN POSITION WITH CABLES DISCONNECTED

FULL LENGTH ALUMINUM HINGE

**CLEAR COAT  
POWDER COAT**

AIRCRAFT TYPE CABLE WITH SWEDGED FITTINGS SUPPORT THE ALUMINUM DOOR

ROTARY STYLE TWO POSITION LATCH SYSTEM KEEPS DOOR FROM INADVERTENTLY OPENING IN TRANSIT

Model 636

# ALUMINUM Underbed Boxes

WEATHER GUARD® Aluminum Underbed Boxes are lightweight yet durable and will protect your tools and equipment for years to come.

**BLACK  
ARMOR-TUF  
POWDER COATING**

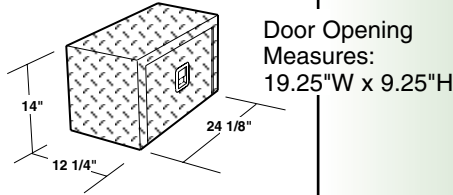
OR

**CLEAR COAT  
POWDER COAT**

**Model 636 Aluminum Underbed Box**

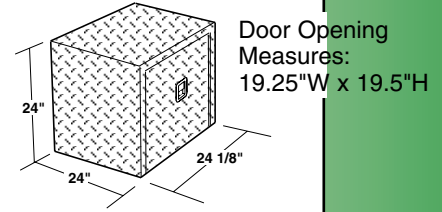


**Model 622 (clear)  
Model 622-5 (black)**



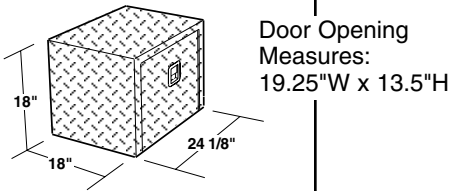
Cu. Ft...2.4  
Ship Wt...24 Lbs.

**Model 626 (clear)  
Model 626-5 (black)**



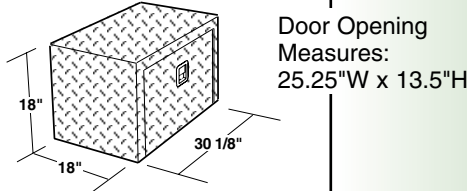
Cu. Ft...8  
Ship Wt... 49 Lbs.

**Model 627 (clear)  
Model 627-5 (black)**



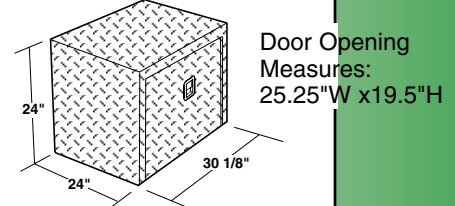
Cu. Ft...4.3  
Ship Wt...35 Lbs.

**Model 631 (clear)  
Model 631-5 (black)**



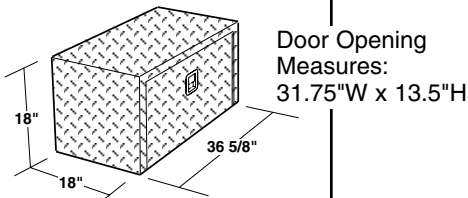
Cu. Ft...5.4  
Ship Wt...42 Lbs.

**Model 632 (clear)  
Model 632-5 (black)**



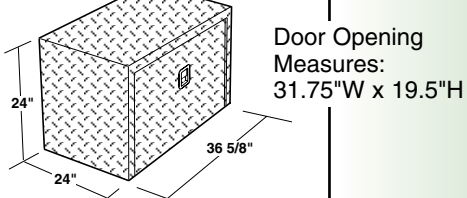
Cu. Ft...10  
Ship Wt.. 57 Lbs.

**Model 636 (clear)  
Model 636-5 (black)**



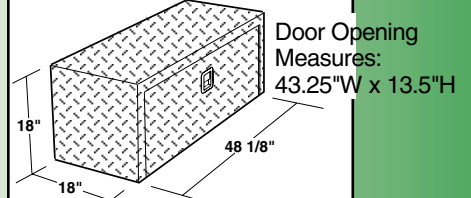
Cu. Ft...6.5  
Ship Wt...47 Lbs.

**Model 638 (clear)  
Model 638-5 (black)**



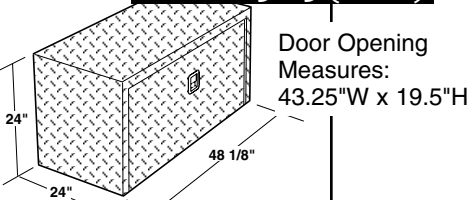
Cu. Ft...12.2  
Ship Wt...65 Lbs.

**Model 648 (clear)  
Model 648-5 (black)**



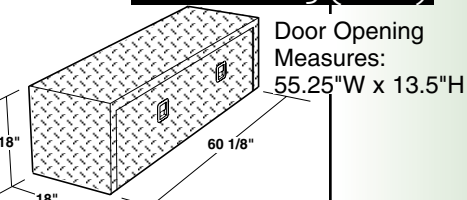
Cu. Ft...8.6  
Ship Wt...62 Lbs.

**Model 650 (clear)  
Model 650-5 (black)**



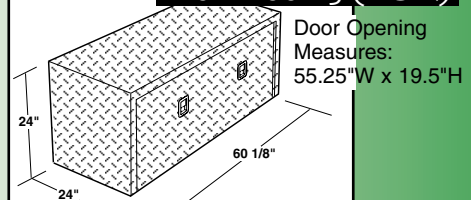
Cu. Ft...16  
Ship Wt...81 Lbs.

**Model 660 (clear)  
Model 660-5 (black)**



Cu. Ft...11.2  
Ship Wt...76 Lbs.

**Model 662 (clear)  
Model 662-5 (black)**



Cu. Ft...20  
Ship Wt...100 Lbs.





# Steel Underbed Boxes

UNITS ARE AVAILABLE IN BLACK ARMOR-TUF POWDER COAT OR WG-Ti™ BRITE WHITE FINISH INSIDE AND OUT

BRITE WHITE

or

**BLACK**  
ARMOR-TUF  
POWDER COATING

FULL LENGTH ALUMINUM PIANO HINGE

ANGLE BODY DESIGN

POSITIVE WEATHER SEAL

AIRCRAFT TYPE CABLE WITH SWEDGED FITTINGS

POWDER COATED ALUMINUM DOOR

ROTARY STYLE TWO POSITION LATCH SYSTEM

Model 536-3



BRUSHED STAINLESS STEEL PADDLE HANDLE FOR EXTRA LIFE AND DURABILITY



UNIQUE ANGLE DESIGN ADDS STRENGTH TO THE FULL LENGTH OF THE CABINET AND ALLOWS THE DOOR TO SWING ALL THE WAY DOWN WHEN THE CABLE IS REMOVED



EXCLUSIVE INNER ARC WELD CONSTRUCTION ON ALL SEAMS FOR MAXIMUM STRENGTH AND DURABILITY

FINISH GRINDING DOES NOT DIMINISH THE INTEGRITY OF THE WELD



UNIQUE DESIGN ROTARY STYLE TWO-POSITION LATCH PREVENTS THE DOOR FROM OPENING INADVERTENTLY

## EXCLUSIVE FEATURES & BENEFITS

- Most rugged underbed boxes available.
- Features a blend of materials - the top, back and end panels are 14 gauge steel, the bottom is 12 gauge steel.
- Doors are made of .100 thick aluminum with a full length reinforcing channel that resists rust.
- Weather stripping and a flanged design seal out weather and road grime.
- Available in BRITE WHITE or BLACK ARMOR-TUF Powder Coat.
- Paddle handle rotary style latch mechanism features a two-position latch system for your personal safety.
- Perfect for fitting under a flatbed, platform or dump truck body.
- Protects your tools and equipment from weather and theft.

**NOTE:** Due to the various chassis that these products can be used on, contact a truck equipment dealer for mounting procedures and support brackets or angles. If you decide to make these brackets yourself, do not use any steel less than 1/4" in thickness.

See next page for models to fit flatbed, platform and dump trucks.

# Steel Underbed Boxes

**BLACK**  
ARMOR-TUF  
POWDER COATING

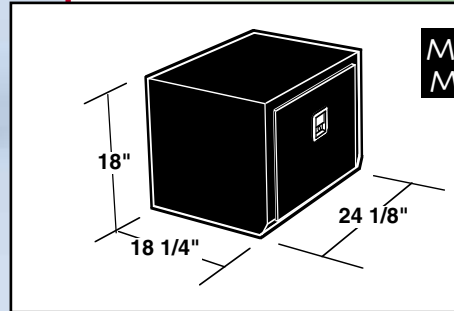
or

**BRITE WHITE**  
POWDER  
COAT FINISH

WEATHER GUARD® Steel Underbed Boxes are perfect for use with a flatbed, platform or dump truck body, and will protect your tools and equipment from weather and theft.



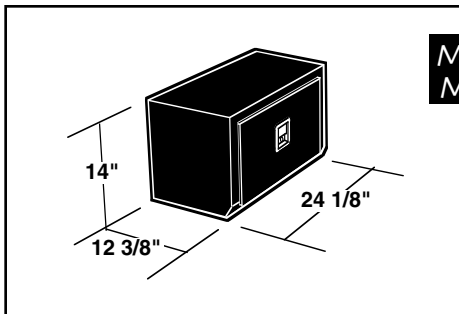
Model 536-5



Model 524-3 (white)  
Model 524-5 (black)

Door Opening  
Measures:  
13.5"H x 20"W

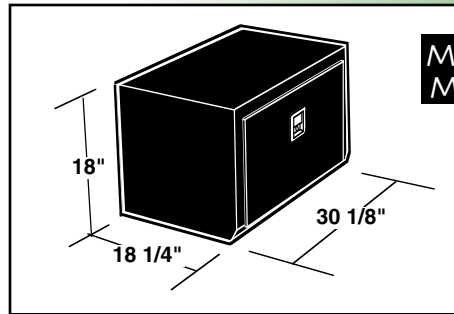
Cu. Ft...4.5  
Ship Wt...66 Lbs.



Model 525-3 (white)  
Model 525-5 (black)

Door Opening  
Measures:  
9.5"H x 20"W

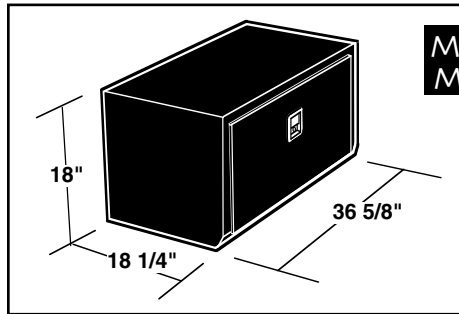
Cu. Ft...2.3  
Ship Wt...37 Lbs.



Model 530-3 (white)  
Model 530-5 (black)

Door Opening  
Measures:  
13.5"H x 26"W

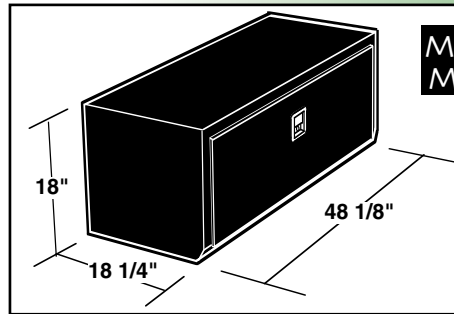
Cu. Ft...5.6  
Ship Wt...77 Lbs.



Model 536-3 (white)  
Model 536-5 (black)

Door Opening  
Measures:  
13.5"H x 32.5"W

Cu. Ft...6.7  
Ship Wt...89 Lbs.



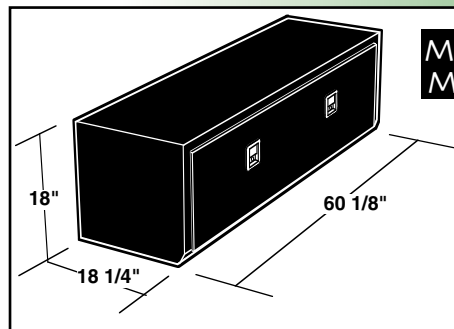
Model 548-3 (white)  
Model 548-5 (black)

Door Opening  
Measures:  
13.5"H x 44"W

Cu. Ft...9.0  
Ship Wt...112 Lbs.



Model 536-3 Underbed Box mounted on a flatbed truck.



Model 560-3 (white)  
Model 560-5 (black)

Door Opening  
Measures:  
13.5"H x 56"W

Cu. Ft...11.25  
Ship Wt...142 Lbs.





# Jumbo Underbed Boxes

**BLACK**  
ARMOR-TUF  
POWDER COATING

or

**BRITISH WHITE**  
POWDER  
COAT FINISH

**6" DEEPER AND  
TALLER THAN  
STANDARD  
UNDERBED  
BOXES**

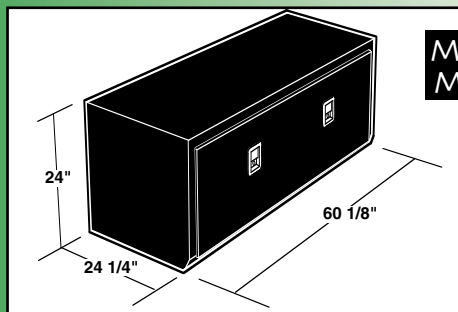


**Model 550-3**

**THE GREATER HEIGHT  
AND DEPTH MAKE  
IT EASIER TO STORE  
BULKY ITEMS**

**THE LARGER DOOR  
OPENING MAKES IT  
EASIER TO GET THOSE  
BULKY ITEMS IN  
AND OUT**

**SAME EXCLUSIVE FEATURES & BENEFITS  
AS OUR STEEL UNDERBED BOXES ON PAGE  
24-25 BUT WITH ALMOST TWICE THE  
STORAGE SPACE!**



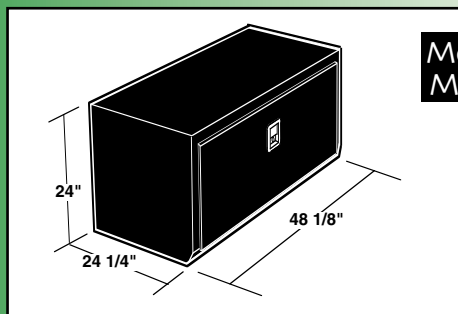
**Model 562-3 (white)  
Model 562-5 (black)**

Door Opening  
Measures:  
19.5"H x 56"W

Cu. Ft...20.25  
Ship Wt...175 Lbs.

- Perfect for fitting under a flatbed, platform or dump truck body.
- Will protect your tools and equipment from weather and theft.

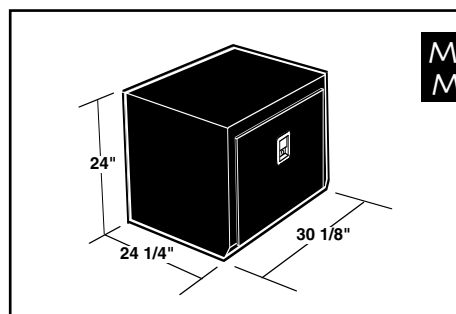
**NOTE: Due to the various chassis that these products can be used on, contact a truck equipment dealer for mounting procedures and support brackets or angles. If you decide to make these brackets yourself, do not use any steel less than 1/4" in thickness.**



**Model 550-3 (white)  
Model 550-5 (black)**

Door Opening  
Measures:  
19.5"H x 44"W

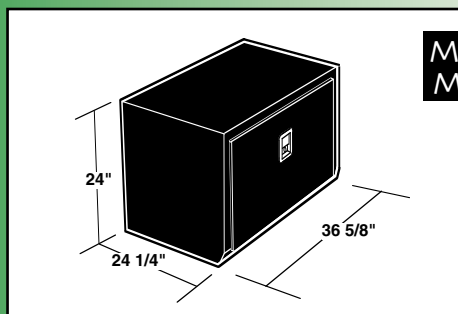
Cu. Ft...16.2  
Ship Wt...140 Lbs.



**Model 532-3 (white)  
Model 532-5 (black)**

Door Opening  
Measures:  
19.5"H x 26"W

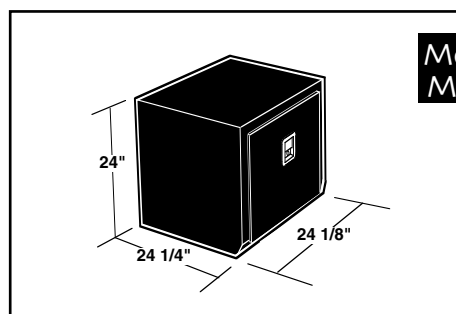
Cu. Ft..10.1  
Ship Wt..85 Lbs.



**Model 538-3 (white)  
Model 538-5 (black)**

Door Opening  
Measures:  
19.5"H x 32.5"W

Cu. Ft...12.1  
Ship Wt...106 Lbs.



**Model 526-3 (white)  
Model 526-5 (black)**

Door Opening  
Measures:  
19.5"H x 20"W

Cu. Ft..8.1  
Ship Wt...67 Lbs.